



NDE Series

Wireless lock with
ENGAGE™ technology



Overview

The Schlage® NDE Series wireless lock with ENGAGE™ technology is designed to be easy to install, connect, manage, and use. Developed specifically for facilities that want to upgrade to electronic credentials for improved security and efficiency, it is ideal for suite entrances, office doors, common area doors, and sensitive storage spaces with a cylindrical door prep.

NDE Series wireless locks simplify installation by combining the lock, credential reader, door position sensor and request-to-exit switch all in one unit. NDE Series wireless locks utilize the standard ND cylindrical door prep and can be installed in minutes with only a Phillips screwdriver; no need to install additional components, drill holes or run wires to each opening.

Built-in Bluetooth® enables NDE Series wireless locks to connect directly to smart phones and tablets; no need for a costly proprietary handheld device for set-up and configuration. And with built-in Wi-Fi, NDE Series locks can connect directly to an existing Wi-Fi network enabling automatic updates to configuration and access. Additionally, NDE Series locks can be connected to the ENGAGE Gateway for real-time access control with software from one of our access control alliance partners.

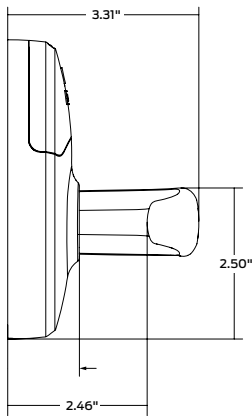
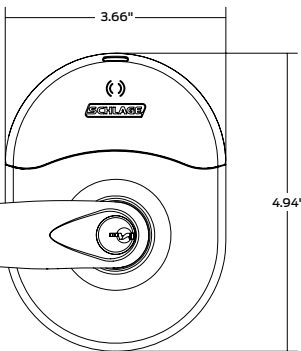
With the ENGAGE cloud-based web and mobile apps, it's easy to configure lock settings, add users, and view audits and alerts from anywhere. For advanced capabilities including networked real-time communication, NDE Series wireless locks can be managed with software from one of our access control alliance partners.

NDE Series wireless locks are compatible with most proximity and smart cards including aptiQ™ and aptiQmobile.™ For additional details please refer to the NDE Integrations which can be found under the Alliances menu on our website.

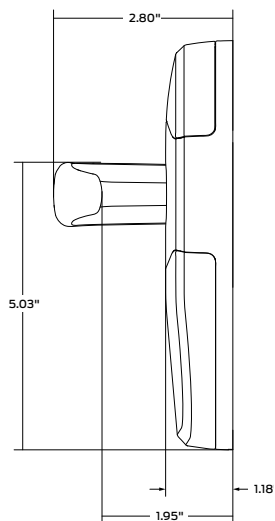
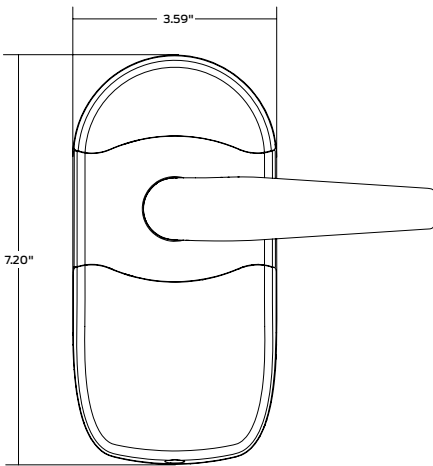
Features and benefits

- Designed to be easy to install, connect, manage, and use
- Fits mechanical ND Series door prep with no additional holes
- Installs in minutes with only a Phillips screwdriver
- Lever handing is field reversible in seconds; no tools required
- Innovative integrated door position sensor requires no additional door prep
- Built-in Bluetooth® enables wireless configuration from smart phones and tablets
- Built-in Wi-Fi enables automatic daily updates sent directly from host software
- Enable networked real-time communication with the ENGAGE Gateway and software from one of our access control alliance partners
- Up to 2 years of battery life with 4 AA batteries
- Compatible with major brands of key systems
- ANSI/BHMA A156.25 (Indoor/Outdoor), ANSI/BHMA Grade 1, UL 294, UL10C, FCC Part 15, ADA, RoHS, Industry Canada (IC)

Exterior of the lock



Interior of the lock



Schlage · NDE Series

NDE Series wireless lock specifications

Users	Up to 5,000 ¹
Audits	Up to 2,000 ²
Credential verification time	≤ 1 second ³
Visual communications	LED (red, amber, green)
Audible communications	Audible indicator (field configurable)
Communication standards	<ul style="list-style-type: none"> ▪ 2.4 GHz Wi-Fi® (IEEE 802.11b/g) ▪ WPA2, WPA, WEP, 802.1x ▪ Bluetooth low energy (version 4.0) ▪ Transport Layer Security (TLS) version 1.0 ▪ Advanced Encryption Standard (AES), 256-bit
Communication range	Up to 100 ft.
Wake-Up on Radio	Responds to command from host in less than 5 seconds when linked to ENGAGE Gateway (requires alliance partner software)
Data rate	24 Mbps via Wi-Fi
Connectivity options	<ul style="list-style-type: none"> ▪ Mobile (send updates at the lock) ▪ Wi-Fi access point (automatic daily updates⁹) ▪ ENGAGE Gateway (real-time communication) <ul style="list-style-type: none"> - RS-485 to partner ACP or IP to partner host
Battery life	Up to 2 yrs with 4 AA batteries ⁴
Operating temperature (exterior)	-31° to 151°F (-35° to 66°C)
Operating temperature (interior)	32° to 120°F (0° to 49°C) (battery)
Operating humidity	0 - 100% non-condensing
Certifications	ANSI/BHMA A156.25-2013 (Indoor/Outdoor), ANSI/BHMA A156.2-2011, Series 4000, Grade 1, UL 294, UL 10C, CSA C22.2 No. 205-M1983, FCC Part 15, IC RSS-210, ADA, RoHS, ICC ANSI A117.1

Functions

- Storeroom with Vandgard®

Available status signals

- Request-to-exit
- Door position
- Interior cover tamper⁵
- Magnetic tamper
- Battery status
- Lock/unlock status⁶
- Communication status⁵

Flexible solutions

NDE Series wireless locks offer connectivity options to fit any size budget or business.

- 1 Mobile
- 2 Wi-Fi
- 3 Real-time with ENGAGE Gateway

ENGAGE™ cloud-based web and mobile applications



The ENGAGE cloud-based web and mobile applications deliver simple and convenient site set-up with basic access management for users and locks.^{1,3}

ENGAGE mobile app

- Add and configure locks^{7,8}
- Add new users and enroll credentials^{7,8}
- View audits and alerts
- Send updates to locks
- Perform lock diagnostics
- Requirements: iOS 8 or later (on iPhone 4S or newer); Android 4.4 (Kit Kat) or later

ENGAGE web portal

- Configure locks^{7,8}
- Add new users and enroll credentials^{7,8}
- View audits and alerts
- Requirements
 - Internet Explorer 11.0 or later
 - Chrome 38.0 or later
 - Firefox 33.0 or later
 - Safari for Mac OS X 10 +



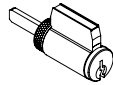
¹ Maximum database storage capacity of lock. Can vary upon partner database capacity when paired with an ENGAGE Gateway RS-485 to ACP
² Maximum audit storage capacity of lock. Can vary upon partner audit storage capacity when paired with an ENGAGE Gateway RS-485 to ACP
³ Response time does not include latency time of host when paired with an ENGAGE Gateway
⁴ Assuming indoor application, 13.56 MHz CSN credential, 100 actuations and one Wi-Fi update per day

⁵ Consult your access control software provider for specific scope of support
⁶ Software indicates lock/unlock status based on sequence of events
⁷ When using the ENGAGE cloud-based access management tool
⁸ Requires internet connection
⁹ Daily update will occur within 24 hours as scheduled by the host

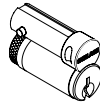
Mechanical specifications

Chassis	Cylindrical
Handing	Right-handed from factory. Field reversible in seconds (no tools required)
ANSI standard (Meets or exceeds)	ANSI/BHMA A156.25-2013 (Indoor/Outdoor) ANSI/BHMA A156.2-2011, Series 4000, Grade 1
Door thickness	Standard: 1 5/8" - 2" (41mm - 51mm) only
Backset	Standard: 2 3/4" (70mm) Optional: 2 3/8" (60mm)
Latch bolt	Standard: 1/2" (12mm) throw deadlatch (steel) Optional: 3/4" (19mm) throw anti-friction deadlatch available for pairs of fire doors
Levers	Pressure cast zinc, plated
Strike	Standard: 1 3/16" lip, ANSI, DPS, 1 1/4" x 4" Optional: Additional strikes, lip lengths and ANSI strike box available
Cylinder and keys	Standard: Schlage 6-pin Everest 29 S123 keyway cylinder with two patented keys. Additional keying options available, including standard and interchangeable cores, competitor brands, master keying and grand master keying

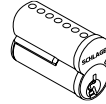
Compatible key systems



Key-in-lever cylinder



Full size interchangeable core



Small format interchangeable core





Schlage key systems

	Key-in-lever cylinder	Full size interchangeable core	Small format interchangeable core
Primus XP	■	■	—
Everest 29	■	■	■
Classic	■	■	—

Other key systems

	(6-pin)		
Sargent®	■	■	■
Corbin Russwin®	—	■	■
Yale®	—	■	■

Cylinder options (How to order)

Cylinder	Order Suffix	Description
	LD SAR	Sargent® Key-in-Lever
	JD SAR	Sargent Full Size Interchangeable Core 6-pin Cylinder
	JD C06	Corbin Russwin Full Size Interchangeable Core 6-pin Cylinder
	JD YA6	Yale Full Size Interchangeable Core 6-pin Cylinder

Multi-technology reader specification

Frequency	125 kHz proximity and 13.56 MHz smart credential
Standards	ISO standard 15693 and ISO 14443
Maximum read range	Up to 1.25" on 125 kHz proximity, up to 0.75" on 13.56 MHz smart credential
125 kHz proximity credential compatibility	Compatibility: Schlage®, XceedID®, HID®, GE/CASI ProxLite®, AWID® and LenelProx® XceedID credential style formats: Clamshell, ISO card, ISO card with magnetic stripe, keyfob and PVC disk (7000 Series)
13.56 MHz smart credential compatibility	Secure sector compatibility: Schlage MIFARE®, aptiQ® MIFARE Classic, XceedID, aptiQ MIFARE DESFire™ EV1 with PACSA, aptiQmobile™ CSN only compatibility: DESFire, HID iClass®, Inside Contactless Pico Tag®, MIFARE, MIFARE DESFire EV1, ST Microelectronics® Texas Instruments Tag-It®, Phillips I-Code® aptiQ credential style formats: Clamshell, ISO card, ISO card with magnetic stripe, keyfob, mobile, PVC disk (8000 Series) and PVC patch (9000 Series)

Benefits of NDE Series multi-technology readers:

- Reads both proximity (125 kHz) and smart (13.56 MHz) technologies with single device
- NDE Series multi-technology readers are NFC compatible¹ and enable use with aptiQmobile credentials
- Allows end user to migrate to more secure credentials over time and as budgets permit

¹ Please refer to aptiQmobile compatibility chart for a list of certified devices

Ordering information

NDE- 80 - PD - SPA - 626

Series	Function	Lever cylinder	Outside		Inside		Backset and latch	Strike	Dim	Additional details
			Lever style	Finish	Lever style	Finish				
1	2	3	4	5	6	7	8	9	10	11

Selections correspond with the numbers above

Standards options are indicated in bold. See price book for specific configuration options.

3	Lever cylinder type
PD	Schlage 6-pin full cylinder
See price book for other SFIC, FSIC and Less Cores options available. Compatible with Schlage, Sargent, Corbin and Yale.	
4/6	Lever style
SPA	Sparta
RHO	Rhodes
ATH	Athens
Available with tactile surface	
5/7	Finish
626	Satin chrome
605	Bright brass
606	Satin brass
612	Satin bronze
619	Satin nickel
625	Bright chrome
643e	Aged bronze
626AM	Satin chrome antimicrobial

8	Backset and latch
13-047	2 3/4" backset, deadlatch, square corner, 1 1/8" x 2 1/4"
See price book for additional backset and latch options	
9	Strike
10-130	1 3/16" lip, ANSI, DPS, no box, 1 1/4" x 4 7/8"
See price book for other available strikes	
10	Dim (strike lip length)
138	1 3/8" non-standard lip length
Enter only for non-standard strike lip lengths. See price book for other available non-standard lengths	
11	Additional details
S123	Everest 29
See price book for other available keyway options including master keying	

Lever styles

Standard cylinders shown, SFIC and FSIC also available.



Sparta



Rhodes



Athens

Finishes

Warm tone finishes



605
Bright brass

606
Satin brass

612
Satin bronze

643e
Aged bronze

Cool tone finishes



619
Satin nickel

625
Bright chrome

626
Satin chrome

626AM
Satin chrome with antimicrobial

Allegion, the Allegion logo, aptiQ, aptiQmobile, Schlage, the Schlage logo, ENGAGE technology, the ENGAGE technology logo, and XceedID are trademarks of Allegion plc, its subsidiaries and/or affiliates in the United States and other countries. All other trademarks are the property of their respective owners.

About Allegion

Allegion (NYSE: ALLE) is a global pioneer in safety and security, with leading brands like CISA®, Interflex®, LCN®, Schlage® and Von Duprin®. Focusing on security around the door and adjacent areas, Allegion produces a range of solutions for homes, businesses, schools and other institutions. Allegion is a \$2 billion company, with products sold in almost 130 countries. For more, visit www.allegion.com.

aptiQ ■ LCN ■ SCHLAGE ■ STEELCRAFT ■ VON DUPRIN



© 2016 Allegion
010409, Rev. 04/16
www.allegion.com/us